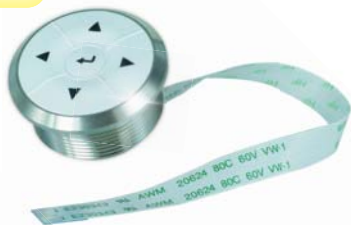




## Navigation Switches Series SF25WA

**NEW**



### Feature

- Panel cutting Ø25mm
- IP67
- 5 Key Navigation Switches
- LED Illuminated
- Metal Housing
- Custom Laser etching

### General Specifications

Switch Circuit	:SP5T
Current Rating	:50mA
Voltage Rating	:12VDC
Dielectric Withstanding Voltage	:250VAC for 1 minute
Contact Resistance	:1 Ohm Max.(initial)
Insulation Resistance	:100M Ohm Min.
Operating Force	:400gf±100gf
Total Travel	:1.0mm±0.3mm
Operating Life	:100,000 cycles Min.
Operating Temperature	:-10 deg.~+60 deg.

### Part name

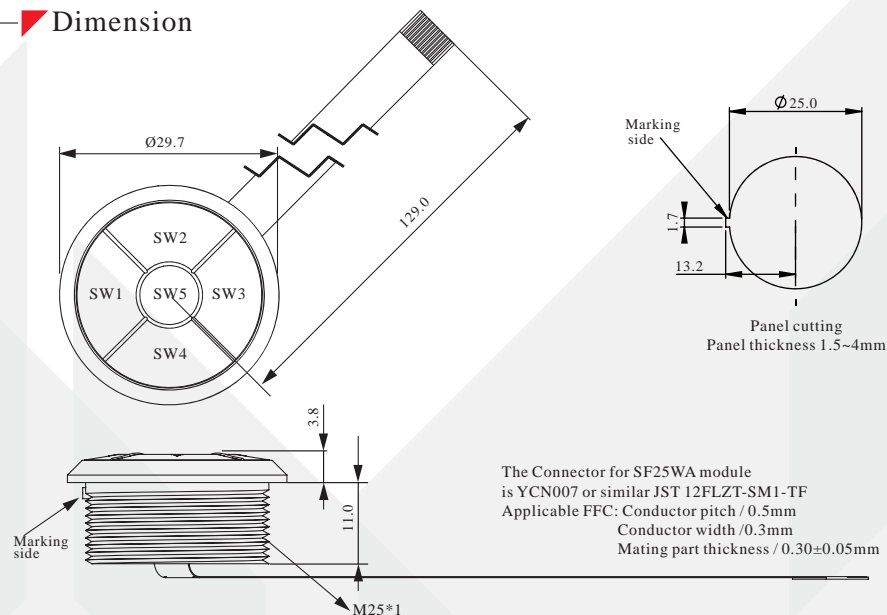
Housing  
Cap  
Tactile Switches

PCB  
FFC  
Washer  
Nuts  
LED

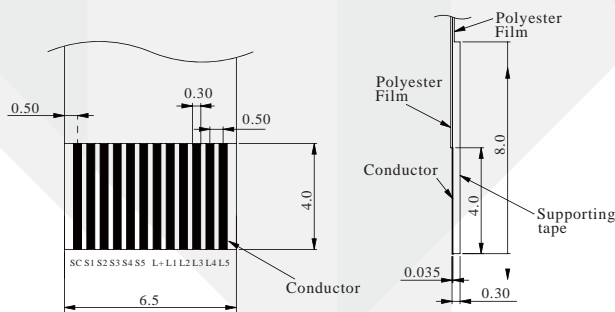
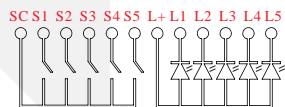
### Materials

:SUS  
:Silicone  
:LCD,SUS silver plating,  
Cyanide silver plating  
:FR4  
:PET  
:EVA  
:Polyamide (PA)

### Dimension

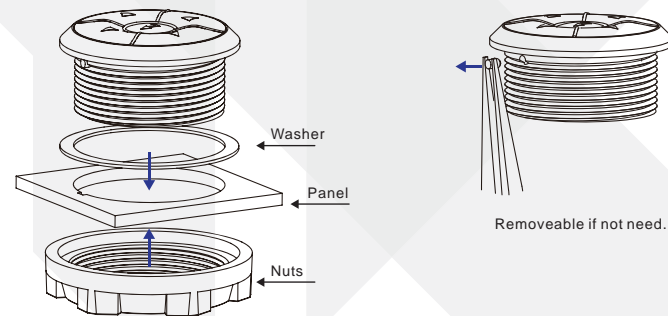


### Contact Configuration



FFC Configuration

### Installation Notes





## Navigation Switches Series SF25WA

### How to Order

Module							
Navigation Part No	SF25WA0B52	SF25WA0B41	SF25WA2B52	SF25WA1B42	SF25WA4B51	SF25WA5B41	SF25WA7B52
Description	Without LED Stainless steel housing, Painted Black Cap, Laser Marking 2.	Without LED Stainless steel housing, Painted White Cap, Laser Marking 1.	Yellow LED Stainless steel housing, Painted Black Cap, Laser Marking 2.	Red LED Stainless steel housing, Painted White Cap, Laser Marking 2.	White LED Stainless steel housing, Painted Black Cap, Laser Marking 1.	Pure Green LED Stainless steel housing, Painted White Cap, Laser Marking 1.	Blue LED Stainless steel housing, Painted Black Cap, Laser Marking 2.

Color is subject to actual product.

### Option



Connector: YCN007



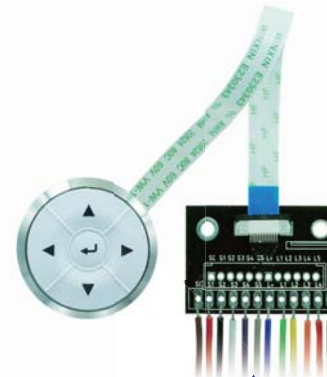
Washer: YWA002



Nuts: YSC0055



Adapter: YPS009



How to use:  
for Cable hand Soldering

or

for Connector  
similar: JST S12B-PH-K-S.  
We recommend using  
Cable socket: JST PHR-12 or similar  
Contact: JST SPH-002T-P0.5S or similar.

